

March 21, 2013

Nancy Westcott
Westcott Distribution, Inc.
60 Shell Avenue
Milford, CT 06460

**Pressure Equipment Directive 97/23/EC (PED)
Applicability and Classification / Categorization Evaluation for
GoatThroat Pumps**

Dear Nancy,

The GoatThroat Pumps (drawing#s s. Table I and II) have been assessed for applicability of the PED and categorized.

According to your letter dated February 20, 2013 the GoatThroat Pumps are being operated on tanks with flammable liquids, which are considered dangerous fluids per the definitions of PED Article 9. It is identified that those stay in the liquid stage for the given operating conditions, which were identified as up to 26°C. Maximum system pressure is identified as 0.41bar (6 psig) (drawing#s s. Table I) and 0.55bar (8 psig) (drawing#s s. Table II) respectively. The GoatThroat Pumps will fit onto a DN50 (2") opening.

The GoatThroat Pumps are to be assessed as "Pressure Accessories".

Based on the information provided, and intended use, the above mentioned GoatThroat Pumps (drawing#s s. Table I) are not subject to the Pressure Equipment Directive (97/23/EC) since the design pressure is identified below the applicability limits for the Pressure Equipment Directive (97/23/EC) of 0.5bar.

Based on the information provided, and intended use, the above mentioned GoatThroat Pumps (drawing#s s. Table II) are subject to the Pressure Equipment Directive (97/23/EC) and do fall under Article 3(3) of the Pressure Equipment Directive (97/23/EC). The GoatThroat Pumps (drawing#s s. Table II) must be designed and manufactured in accordance with the Sound Engineering Practice of a Member State of the European Community to ensure safe use. The GoatThroat Pumps (drawing#s s. Table II) must be accompanied by adequate instructions for use and must bear markings to permit identification of the manufacturer or of his authorized representative established within the European Community. The GoatThroat Pumps (drawing#s s. Table II) must not bear the **CE** marking referred to in Article 15 of the Pressure Equipment Directive (97/23/EC).

If you have any further questions, please do not hesitate to contact us.

Best regards,



Dirk Schroeter
Technical Certifier
TÜV SÜD Industrie Service GmbH
Product Manager
Industry Service
TÜV SÜD America, Inc.

Table I

SCP-6-GT100 Rev. A
SCP-6-GT200 Rev. A
SCP-6-GT200S Rev. A
SCP-6-GT300 Rev. A
SCP-6-7600 Rev. A
GT100-6 Rev. A
GT200-6 Rev. A
GT200S-6 Rev. A
GT300-6 Rev. A
GT7600-6 Rev. A

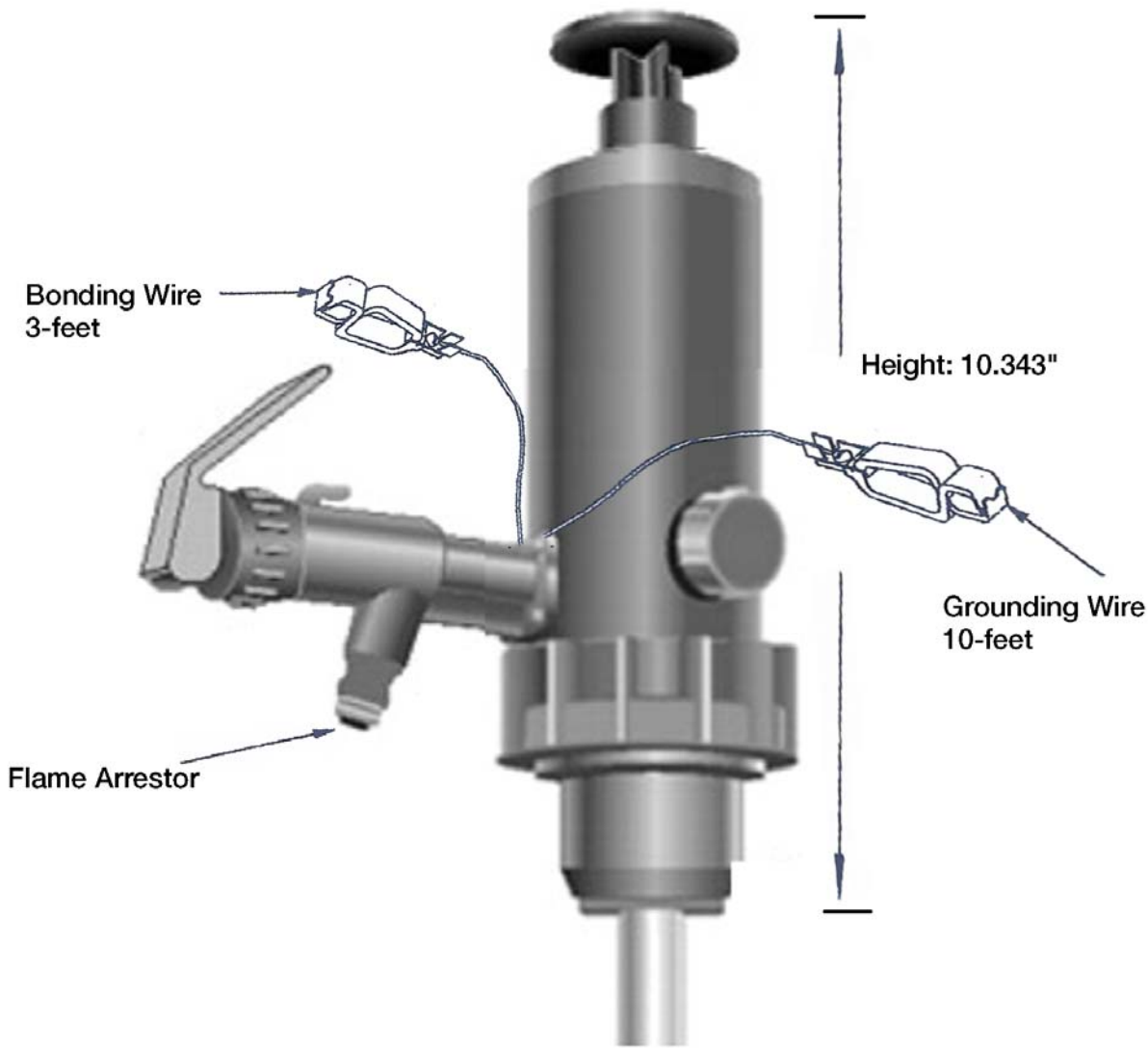
Table II

SCP-8-GT100 Rev. A
SCP-8-GT200 Rev. A
SCP-8-GT200S Rev. A
SCP-8-GT300 Rev. A
SCP-8-7600 Rev. A
GT100 Rev. A
GT200 Rev. A
GT200S Rev. A
GT300 Rev. A
GT7600 Rev. A

Table 1


SCP-6-GT100 Rev. A
SCP-6-GT200 Rev. A
SCP-6-GT200S Rev. A
SCP-6-GT300 Rev. A
SCP-6-7600 Rev. A

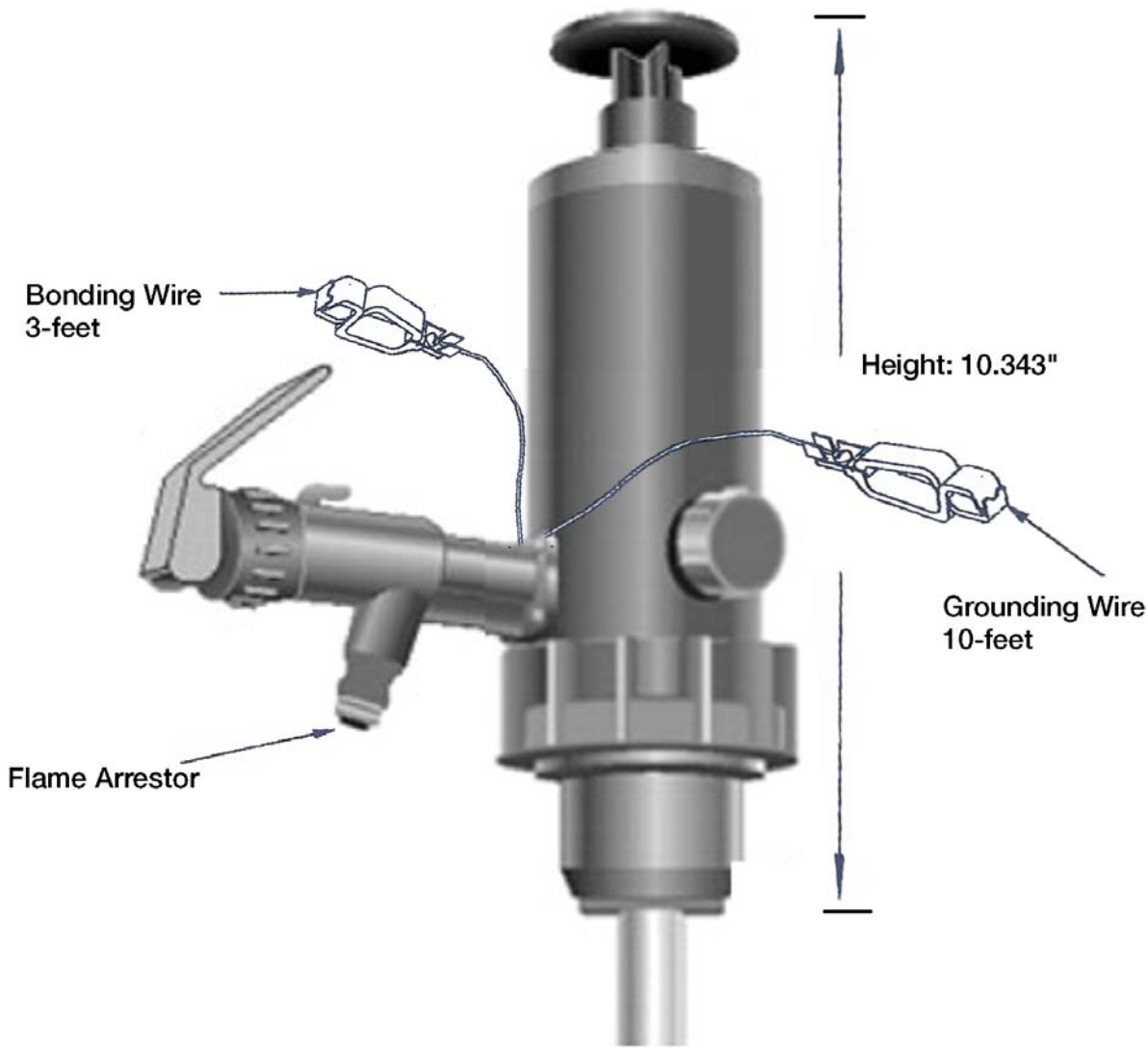
GT100-6 Rev. A
GT200-6 Rev. A
GT200S-6 Rev. A
GT300-6 Rev. A
GT7600-6 Rev. A



SCP-6-GT100


WORK TO SPECIFICATIONS ONLY

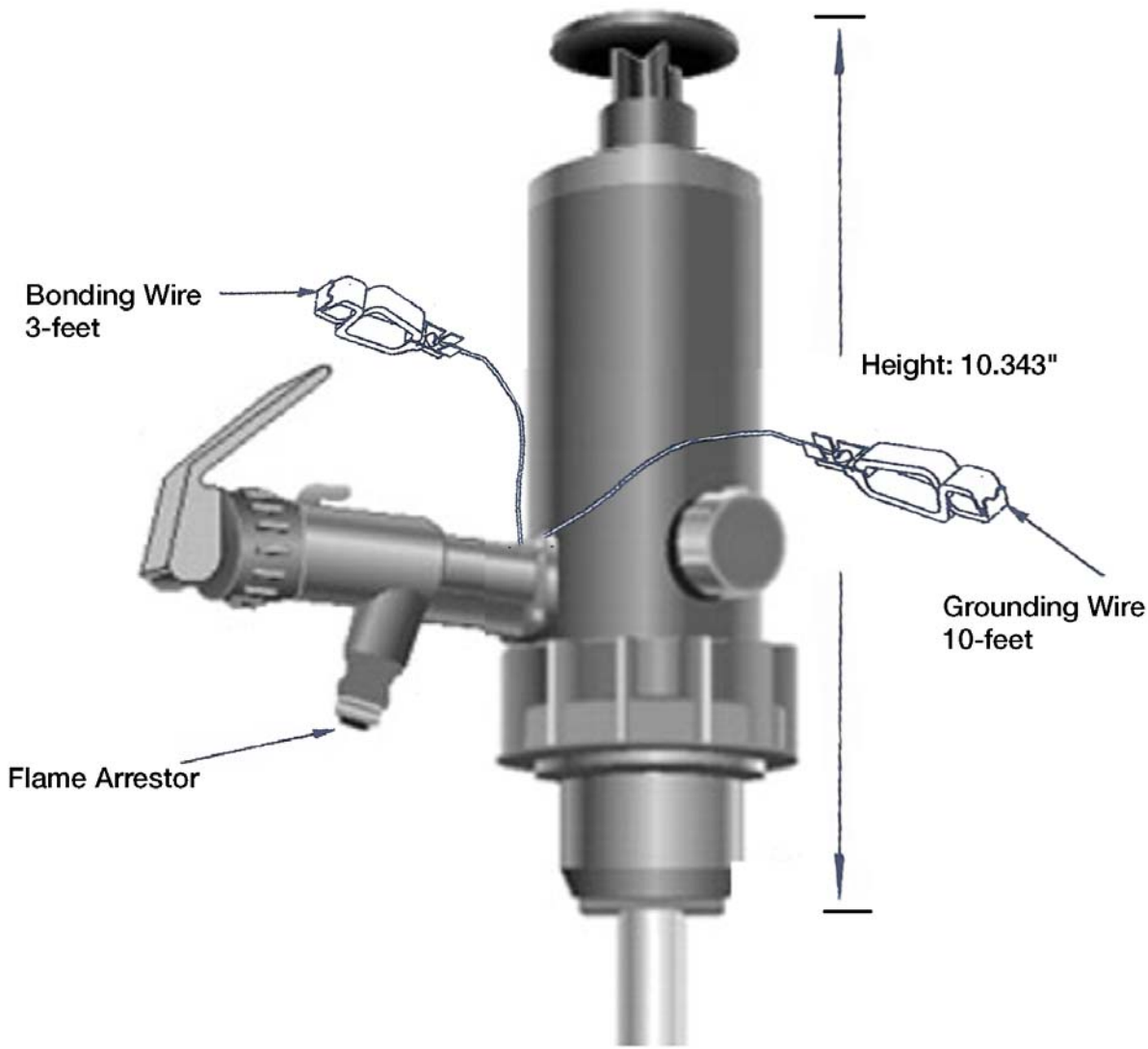
FITS: 2-INCH OPENING		MATERIALS OF CONSTRUCTION							
DRN: N. Westcott	DATE 3.6.13	PLASTIC:	Polypropylene				ITEM NUMBER	REV.	SHEET SIZE
CHK:	DATE	Static Conductive Polypropylene					SCP-6-GT100	A	8.5" X 11"
APP: R. Pockock	DATE 3;6.13	METAL:	304 Stainless Steel	SHEET 1 OF 1 SHEETS	SCALE:				
Manufacture to signed original only and to comply with any relevant US Standards		ELASTOMER:	Nitrile	AUTOMATIC INTERNAL PRESSURE VENT: 6 PSIG					
		OTHER:							



SCP-6-GT200


WORK TO SPECIFICATIONS ONLY

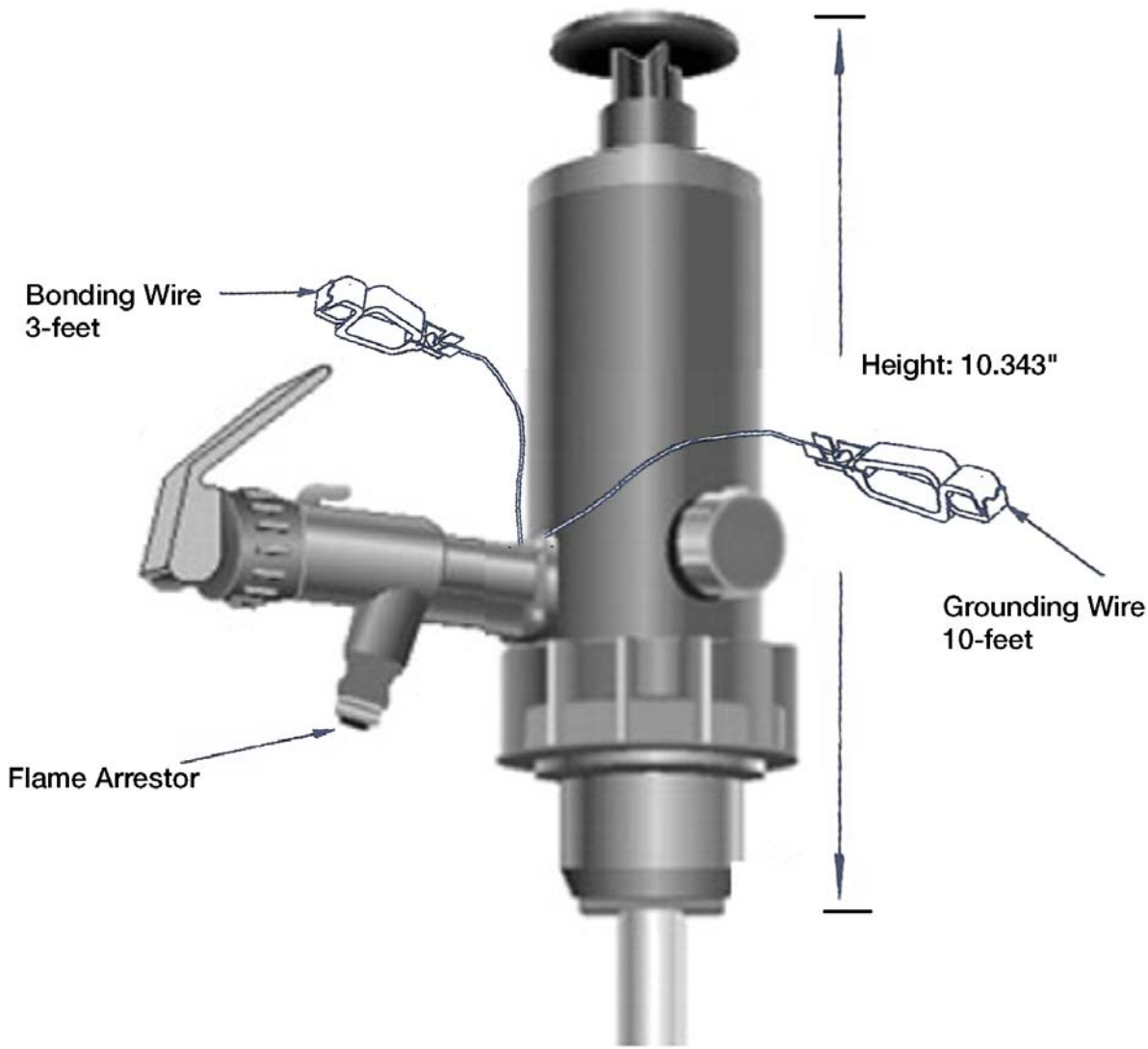
FITS: 2-INCH OPENING		MATERIALS OF CONSTRUCTION							
DRN: N.Westcott	DATE 3.6.13	PLASTIC: Polypropylene					ITEM NUMBER	REV.	SHEET SIZE
CHK:	DATE	Static Conductive Polypropylene					SCP-6-GT200	A	8.5" X 11"
APP: R. Pocock	DATE 3;6.13	METAL: 304 Stainless Steel		SHEET 1 OF 1 SHEETS	SCALE:				
Manufacture to signed original only and to comply with any relevant US Standards		ELASTOMER: EPDM							
		OTHER:		AUTOMATIC INTERNAL PRESSURE VENT: 6 PSIG					



SCP-6-GT200S


WORK TO SPECIFICATIONS ONLY

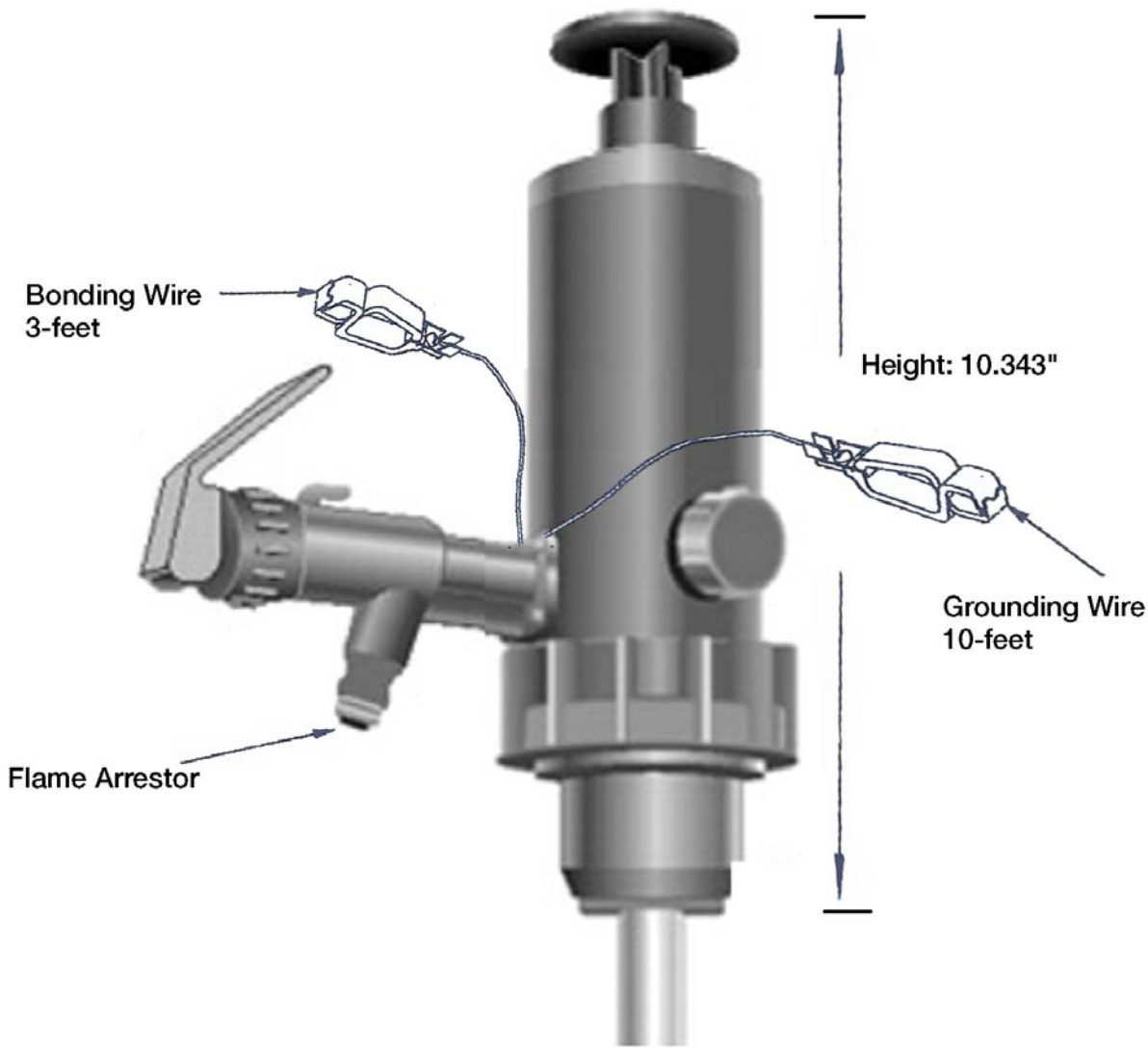
FITS: 2-INCH OPENING		MATERIALS OF CONSTRUCTION							
DRN: N. Westcott	DATE 3.6.13	PLASTIC:	Polypropylene				ITEM NUMBER	REV.	SHEET SIZE
CHK:	DATE	Static Conductive Polypropylene					SCP-6-GT200S	A	8.5" X 11"
APP: R. Pocock	DATE 3;6.13	METAL:	304 Stainless Steel	SHEET 1 OF 1 SHEETS	SCALE:				
Manufacture to signed original only and to comply with any relevant US Standards		ELASTOMER:	EPDM Santoprene						
		OTHER:		AUTOMATIC INTERNAL PRESSURE VENT: 6 PSIG					



SCP-6-GT300


WORK TO SPECIFICATIONS ONLY

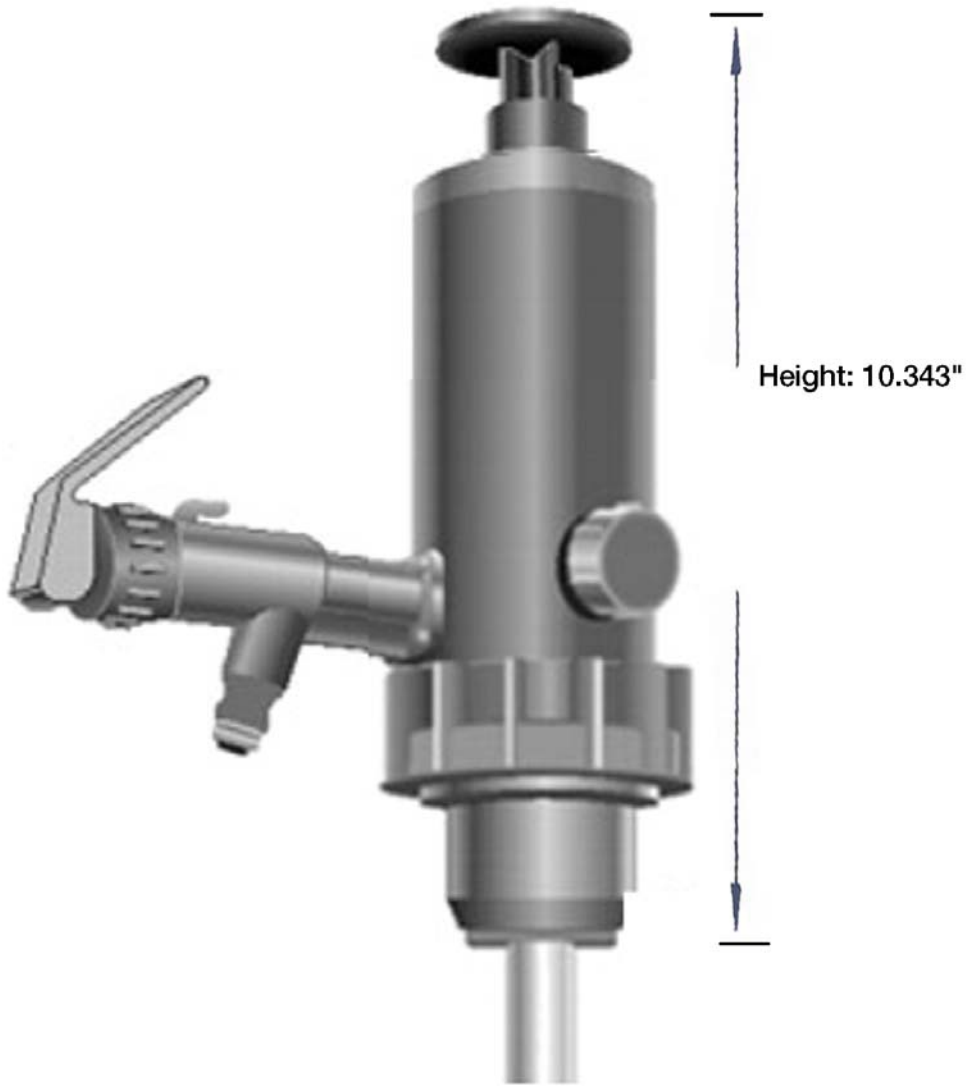
FITS: 2-INCH OPENING		MATERIALS OF CONSTRUCTION							
DRN: N. Westcott	DATE 3.6.13	PLASTIC:	Polypropylene				ITEM NUMBER	REV.	SHEET SIZE
CHK:	DATE	Static Conductive Polypropylene					SCP-6-GT300	A	8.5" X 11"
APP: R. Pocock	DATE 3;6.13	METAL:	304 Stainless Steel	SHEET 1 OF 1 SHEETS	SCALE:				
Manufacture to signed original only and to comply with any relevant US Standards		ELASTOMER:	Viton	AUTOMATIC INTERNAL PRESSURE VENT: 6 PSIG					
		OTHER:							



SCP-6-7600


WORK TO SPECIFICATIONS ONLY

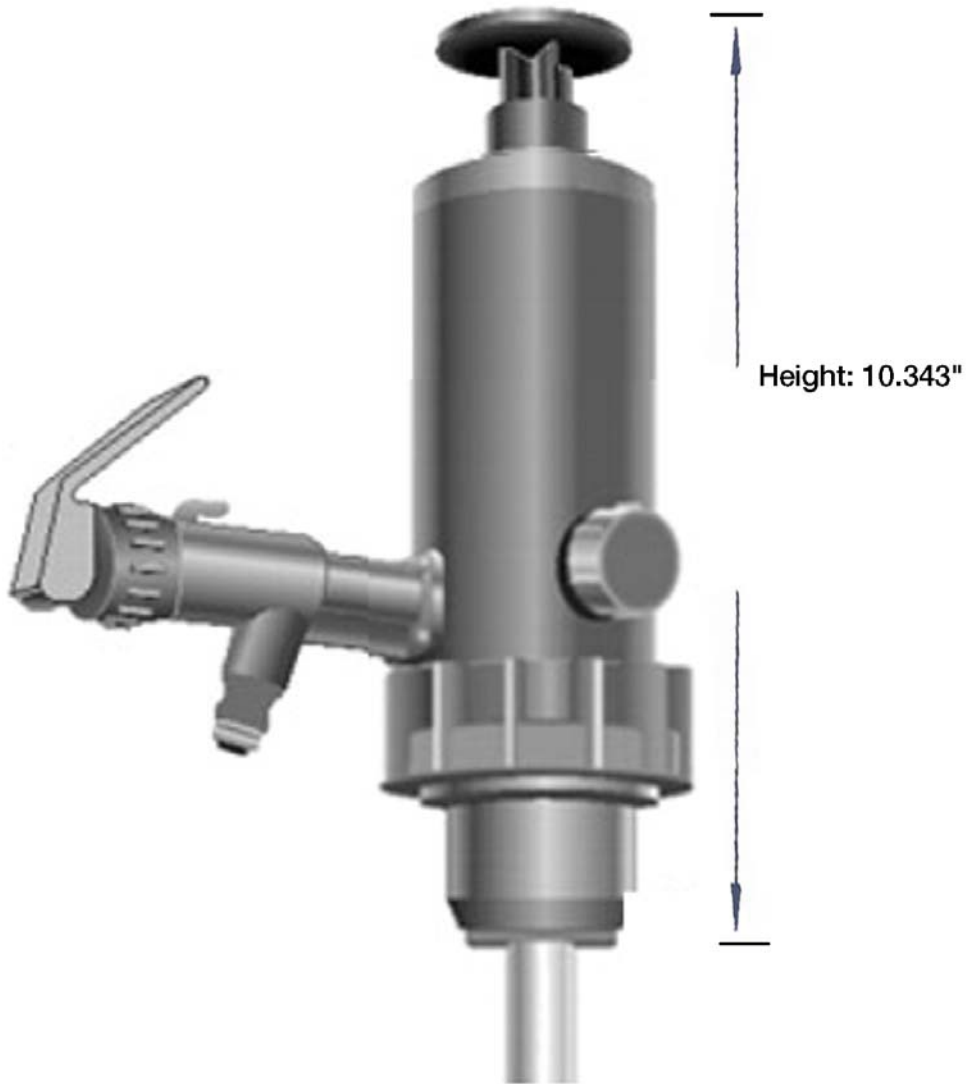
FITS: 2-INCH OPENING		MATERIALS OF CONSTRUCTION							
DRN: N. Westcott	DATE 3.6.13	PLASTIC:	Polypropylene				ITEM NUMBER	REV.	SHEET SIZE
CHK:	DATE	Static Conductive Polypropylene					SCP-6-7600	A	8.5" X 11"
APP: R. Pocock	DATE 3;6.13	METAL:	304 Stainless Steel	SHEET 1 OF 1 SHEETS	SCALE:				
Manufacture to signed original only and to comply with any relevant US Standards		ELASTOMER:	FFMK	OTHER:					
		AUTOMATIC INTERNAL PRESSURE VENT: 6 PSIG							



GT100


WORK TO SPECIFICATIONS ONLY

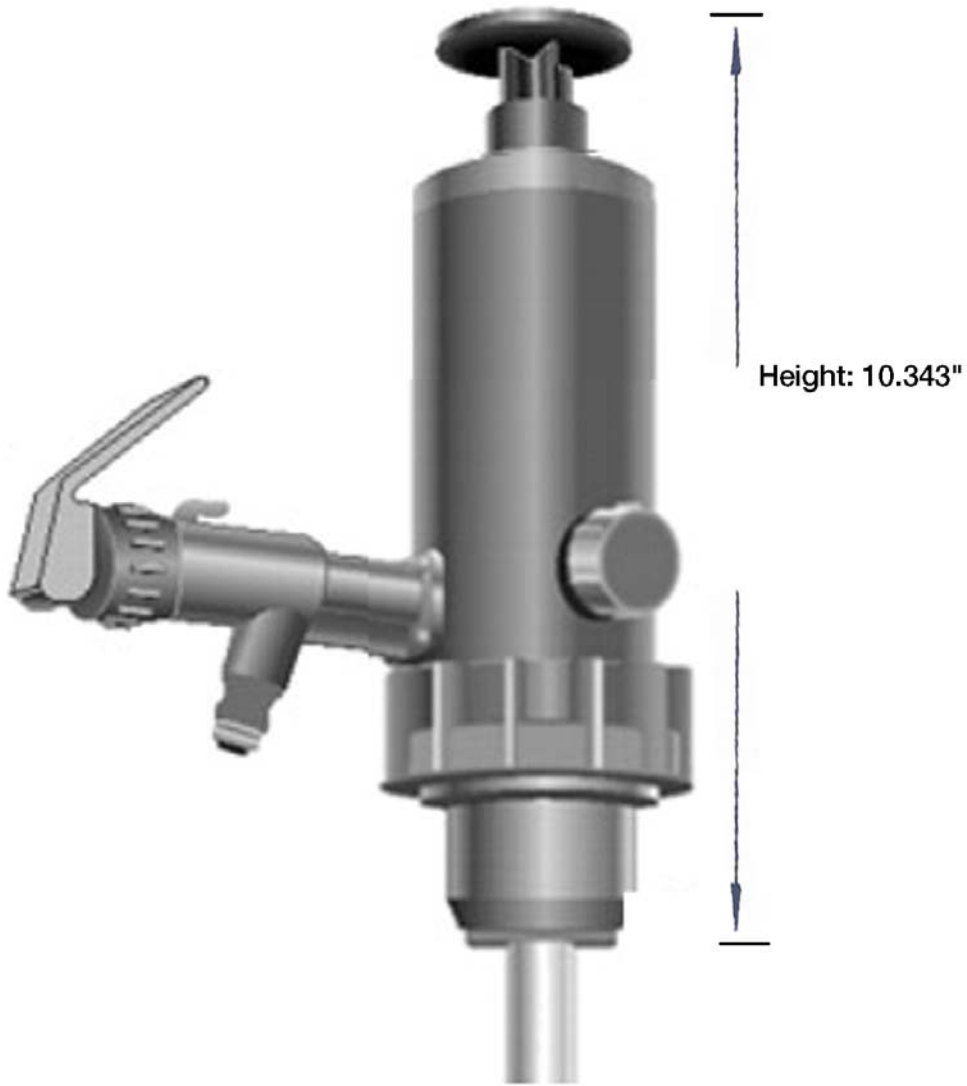
FITS: 2-INCH OPENING		MATERIALS OF CONSTRUCTION							
DRN: N.Westcott	DATE 3.6.13	PLASTIC: Polypropylene					ITEM NUMBER	REV.	SHEET SIZE
CHK:	DATE	METAL: 304 Stainless Steel					GT100	A	8.5" X 11"
APP: R. Pocock	DATE 3;6.13	ELASTOMER: Nitrile		SHEET 1 OF 1 SHEETS	SCALE:				
Manufacture to signed original only and to comply with any relevant US Standards		OTHER:		AUTOMATIC INTERNAL PRESSURE VENT: 8 PSIG					



GT200-6


WORK TO SPECIFICATIONS ONLY

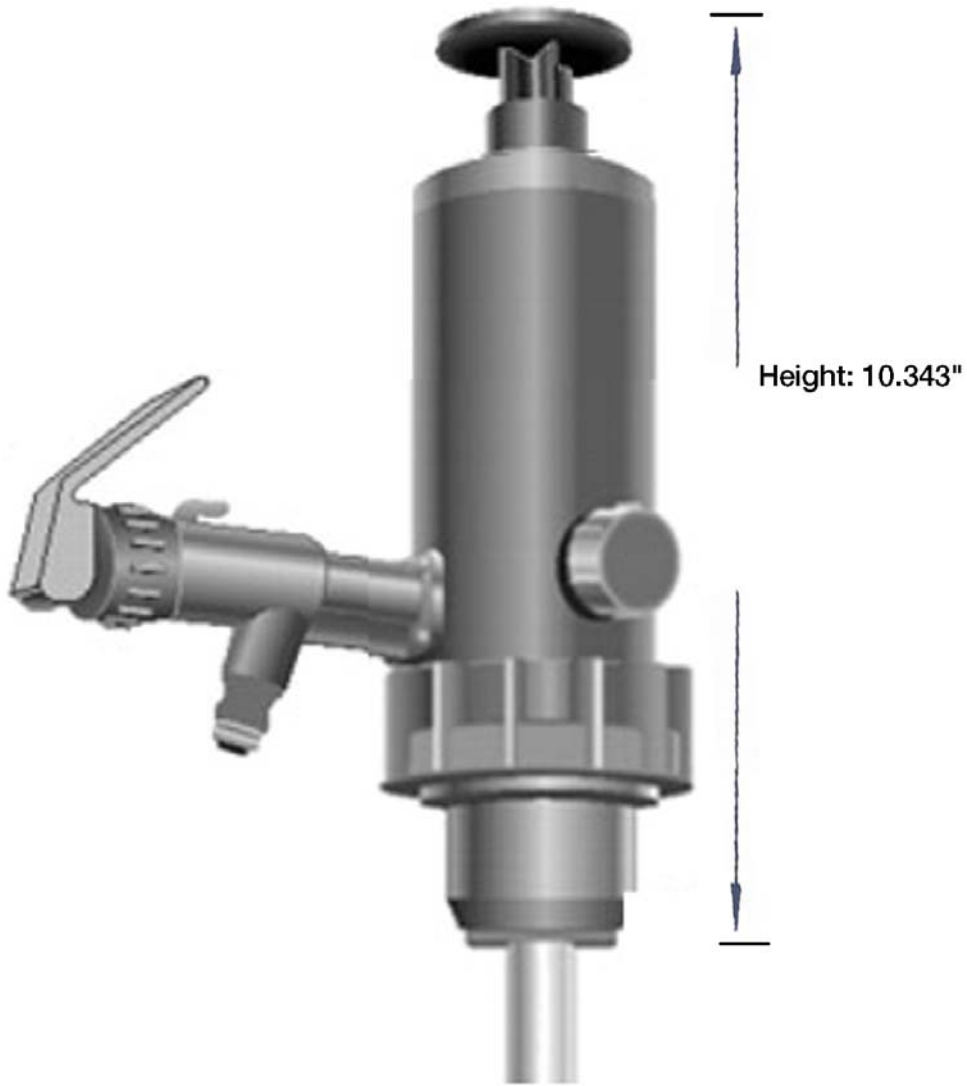
FITS: 2-INCH OPENING		MATERIALS OF CONSTRUCTION							
DRN: N.Westcott	DATE 3.6.13	PLASTIC:	Polypropylene				ITEM NUMBER	REV.	SHEET SIZE
CHK:	DATE	Static Conductive Polypropylene					GT200-6	A	8.5" X 11"
APP: R. Pocock	DATE 3;6.13	METAL:	304 Stainless Steel	SHEET 1 OF 1 SHEETS	SCALE:				
Manufacture to signed original only and to comply with any relevant US Standards		ELASTOMER:	EPDM	AUTOMATIC INTERNAL PRESSURE VENT: 6 PSIG					
		OTHER:							



GT200S-6


WORK TO SPECIFICATIONS ONLY

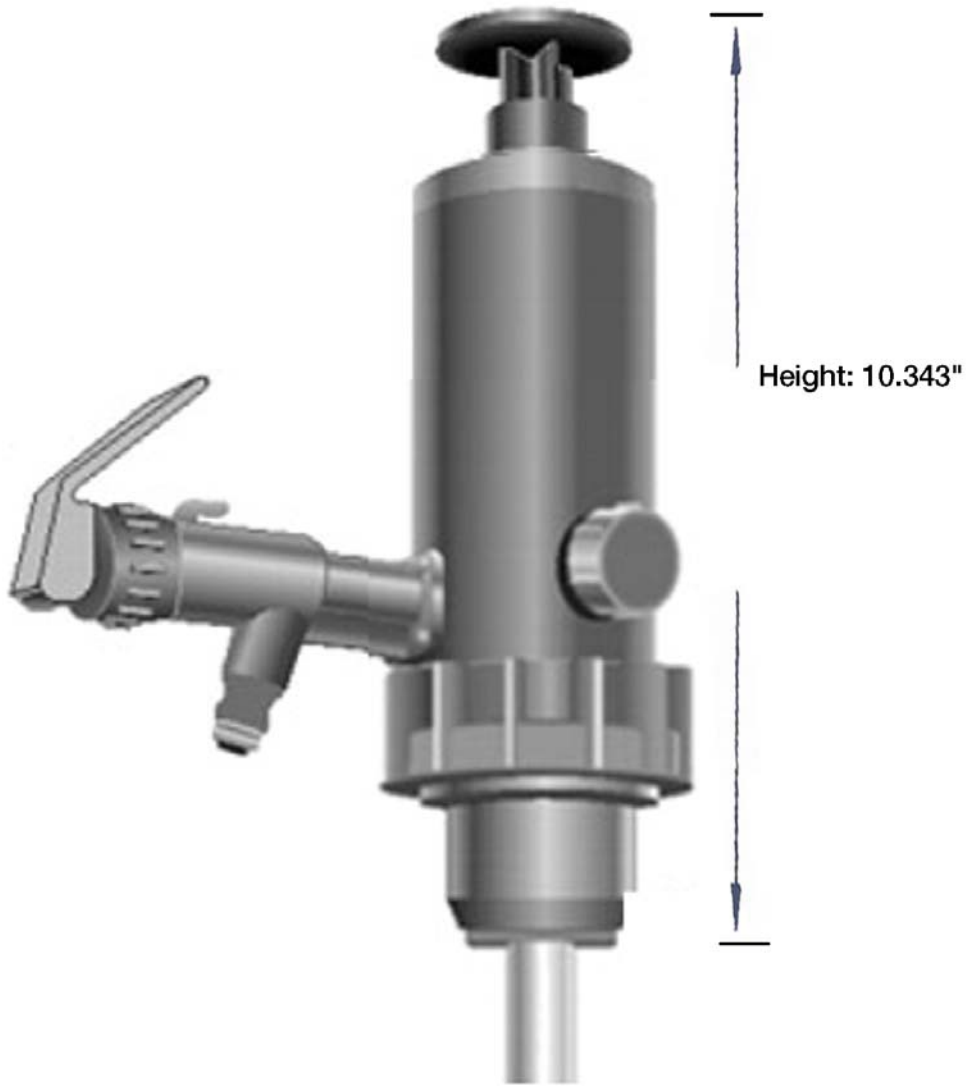
FITS: 2-INCH OPENING		MATERIALS OF CONSTRUCTION				
DRN: N.Westcott	DATE 3.6.13	PLASTIC:	Polypropylene			
CHK:	DATE	METAL:	304 Stainless Steel	ITEM NUMBER	REV.	SHEET SIZE
APP: R. Pocock	DATE 3;6.13	ELASTOMER:	EPDM Santoprene	GT200S-6	A	8.5" X 11"
Manufacture to signed original only and to comply with any relevant US Standards		OTHER:		SHEET 1 OF 1 SHEETS	SCALE:	
		AUTOMATIC INTERNAL PRESSURE VENT: 6 PSIG				



GT300-6

WORK TO SPECIFICATIONS ONLY

FITS: 2-INCH OPENING		MATERIALS OF CONSTRUCTION				
DRN: N.Westcott	DATE 3.6.13	PLASTIC:	Polypropylene			
CHK:	DATE	METAL:	304 Stainless Steel	GT300-6	A	8.5" X 11"
APP: R. Pocock	DATE 3;6.13	ELASTOMER:	Viton			
Manufacture to signed original only and to comply with any relevant US Standards		OTHER:		AUTOMATIC INTERNAL PRESSURE VENT: 6 PSIG		



GT7600-6

WORK TO SPECIFICATIONS ONLY


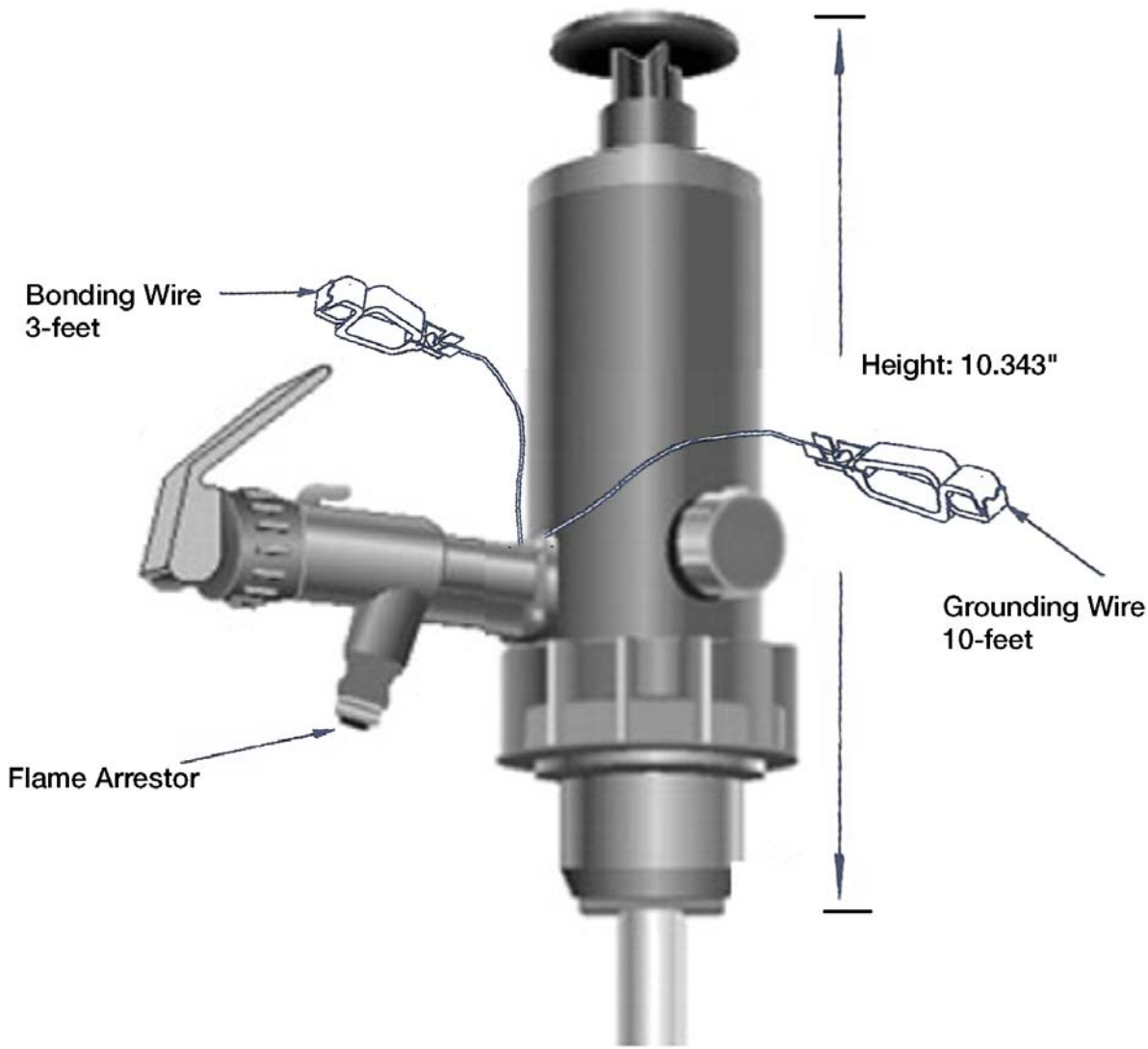
FITS: 2-INCH OPENING		MATERIALS OF CONSTRUCTION				
DRN: N.Westcott	DATE 3.6.13	PLASTIC:	Polypropylene			
CHK:	DATE	METAL:	304 Stainless Steel	GT7600-6	A	8.5" X 11"
APP: R. Pocock	DATE 3;6.13	ELASTOMER:	FFMK PFTE			
Manufacture to signed original only and to comply with any relevant US Standards		OTHER:	AUTOMATIC INTERNAL PRESSURE VENT: 6 PSIG			

Table 2


SCP-8-GT100 Rev. A
SCP-8-GT200 Rev. A
SCP-8-GT200S Rev. A
SCP-8-GT300 Rev. A
SCP-8-7600 Rev. A

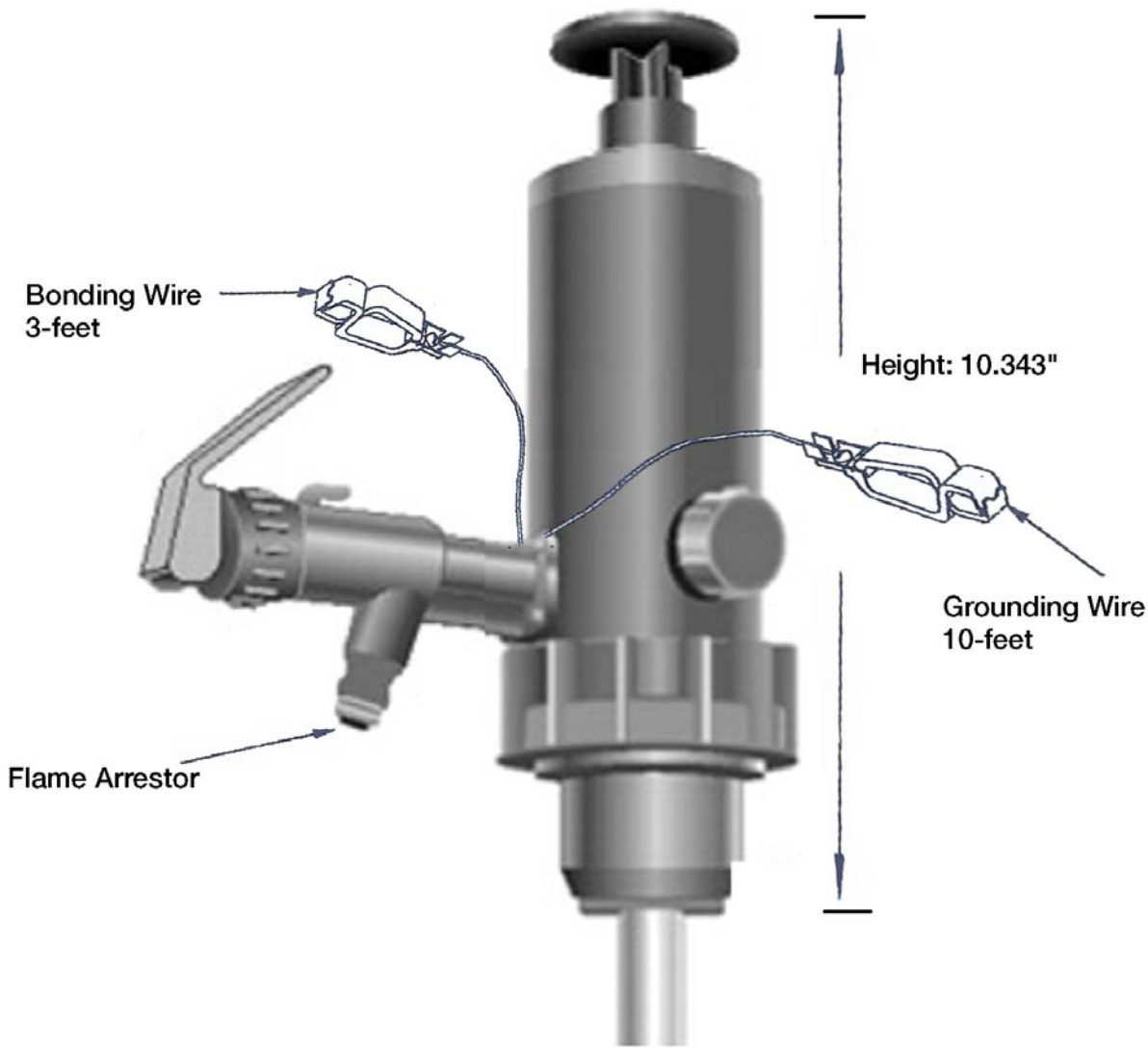
GT100-8 Rev. A
GT200-8 Rev. A
GT200S-8 Rev. A
GT300-8 Rev. A
GT7600-8 Rev. A



SCP-8-GT100


WORK TO SPECIFICATIONS ONLY

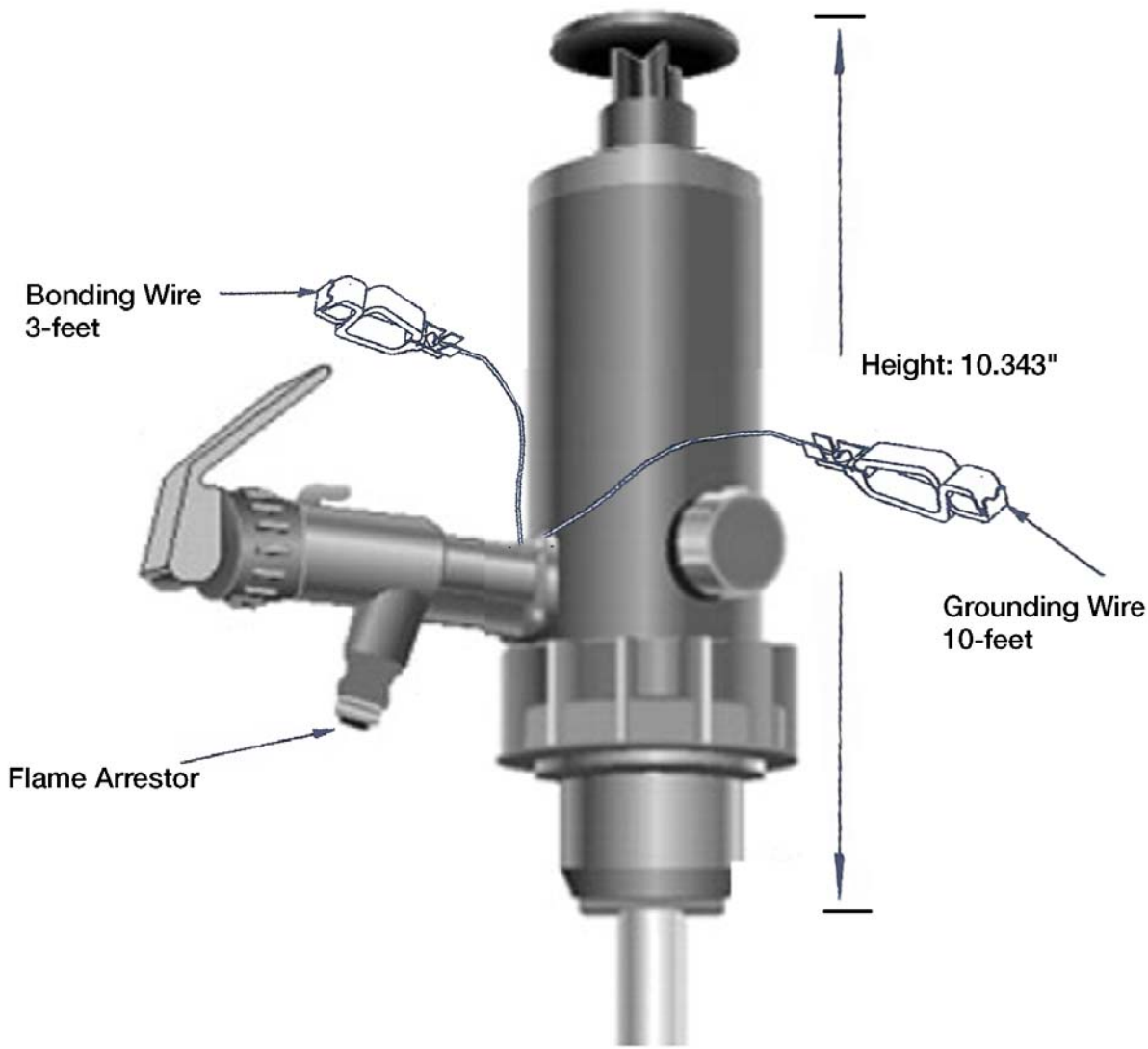
FITS: 2-INCH OPENING		MATERIALS OF CONSTRUCTION							
DRN: N. Westcott	DATE 3.6.13	PLASTIC:	Polypropylene				ITEM NUMBER	REV.	SHEET SIZE
CHK:	DATE	Static Conductive Polypropylene					SCP-8-GT100	A	8.5" X 11"
APP: R. Pocock	DATE 3;6.13	METAL:	304 Stainless Steel	SHEET 1 OF 1 SHEETS	SCALE:				
Manufacture to signed original only and to comply with any relevant US Standards		ELASTOMER:	Nitrile						
		OTHER:		AUTOMATIC INTERNAL PRESSURE VENT: 8 PSIG					



SCP-8-GT200


WORK TO SPECIFICATIONS ONLY

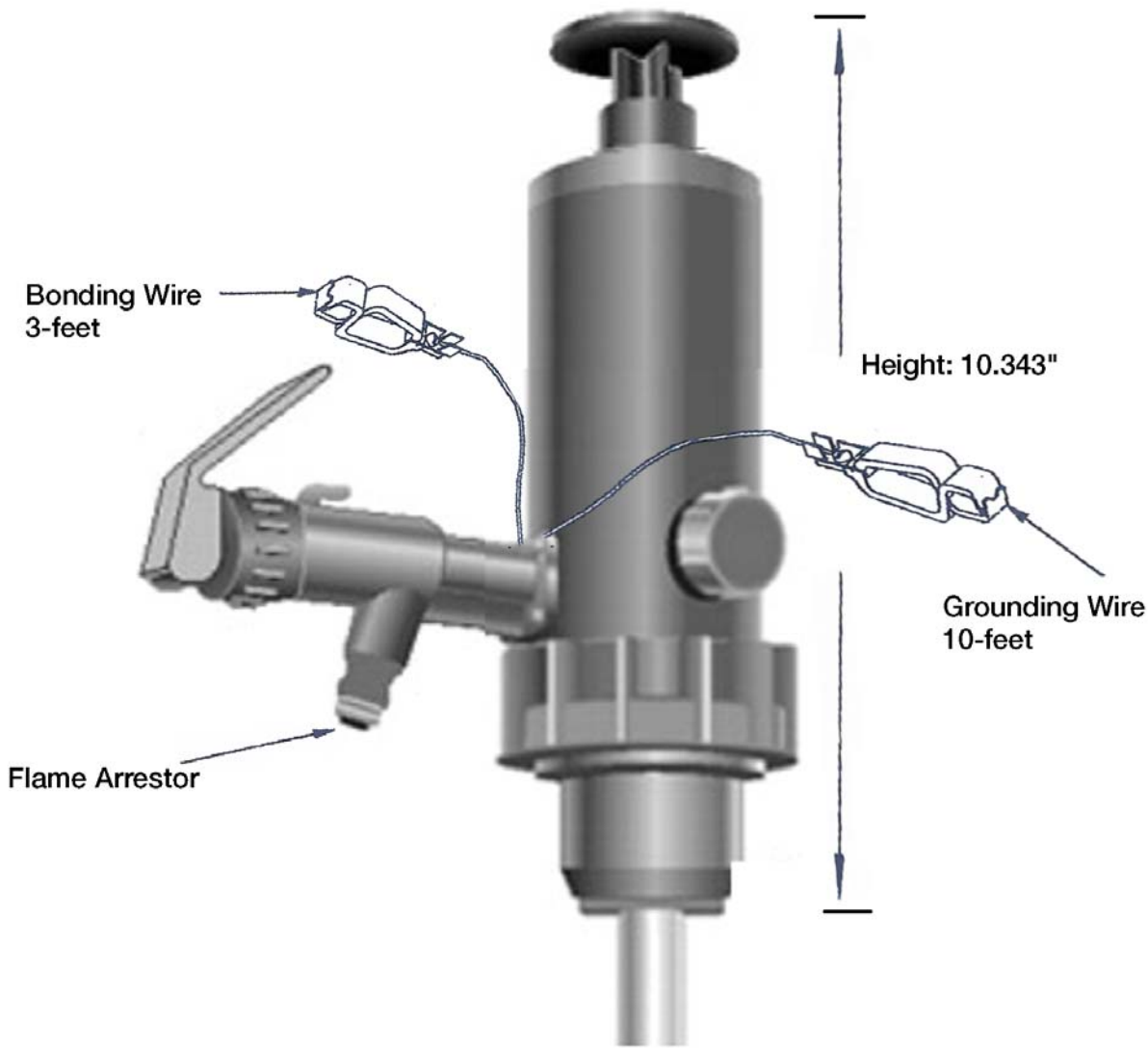
FITS: 2-INCH OPENING		MATERIALS OF CONSTRUCTION							
DRN: N. Westcott	DATE 3.6.13	PLASTIC:	Polypropylene				ITEM NUMBER	REV.	SHEET SIZE
CHK:	DATE	Static Conductive Polypropylene					SCP-8-GT200	A	8.5" X 11"
APP: R. Pockock	DATE 3;6.13	METAL:	304 Stainless Steel	SHEET 1 OF 1 SHEETS	SCALE:				
Manufacture to signed original only and to comply with any relevant US Standards		ELASTOMER:	EPDM	AUTOMATIC INTERNAL PRESSURE VENT: 8 PSIG					
		OTHER:							



SCP-8-GT200S


WORK TO SPECIFICATIONS ONLY

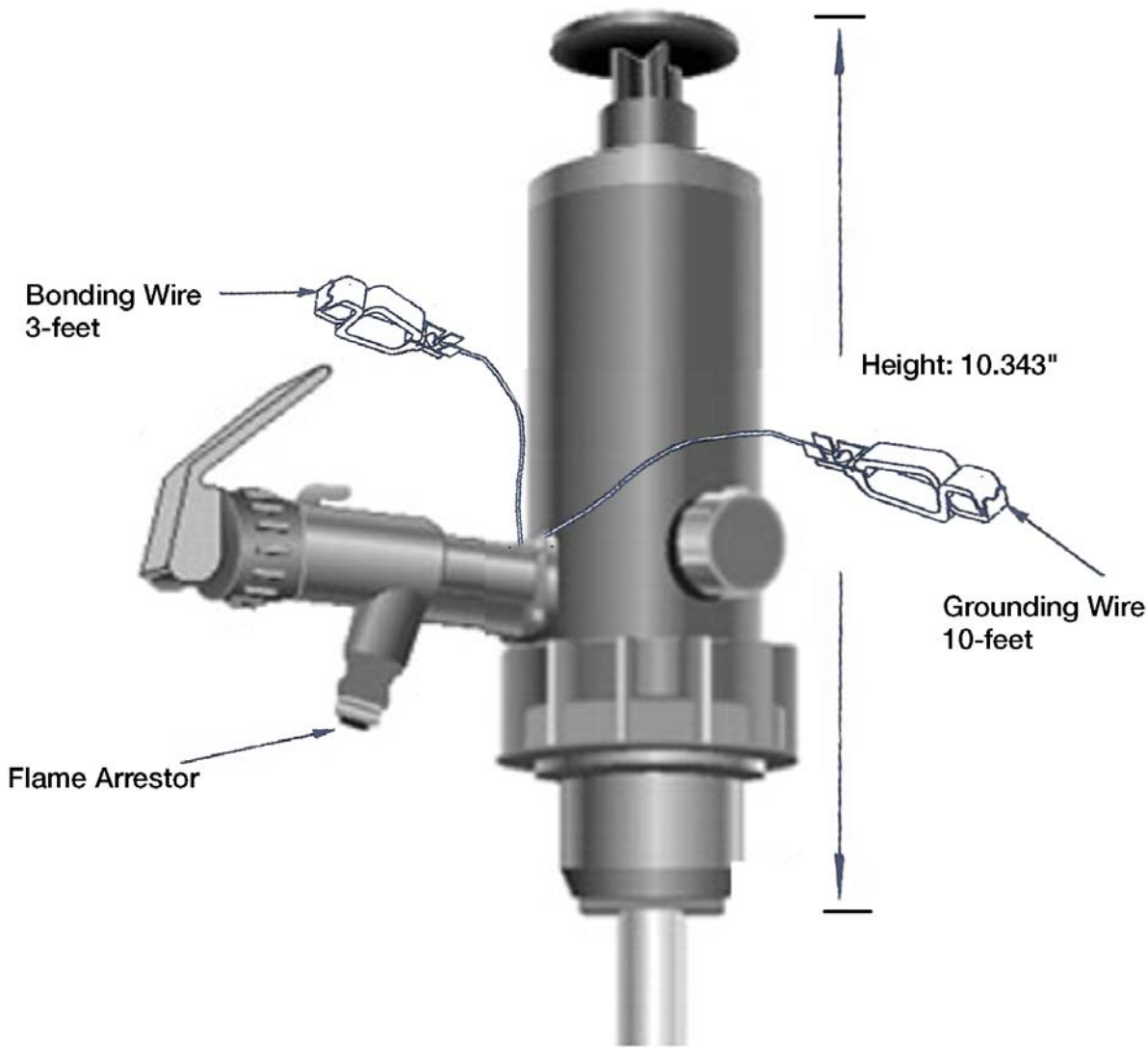
FITS: 2-INCH OPENING		MATERIALS OF CONSTRUCTION							
DRN: N. Westcott	DATE 3.6.13	PLASTIC:	Polypropylene				ITEM NUMBER	REV.	SHEET SIZE
CHK:	DATE	Static Conductive Polypropylene					SCP-8-GT200S	A	8.5" X 11"
APP: R. Pocock	DATE 3;6.13	METAL:	304 Stainless Steel	SHEET 1 OF 1 SHEETS	SCALE:				
Manufacture to signed original only and to comply with any relevant US Standards		ELASTOMER:	EPDM Santoprene						
		OTHER:		AUTOMATIC INTERNAL PRESSURE VENT: 8 PSIG					



SCP-8-GT300


WORK TO SPECIFICATIONS ONLY

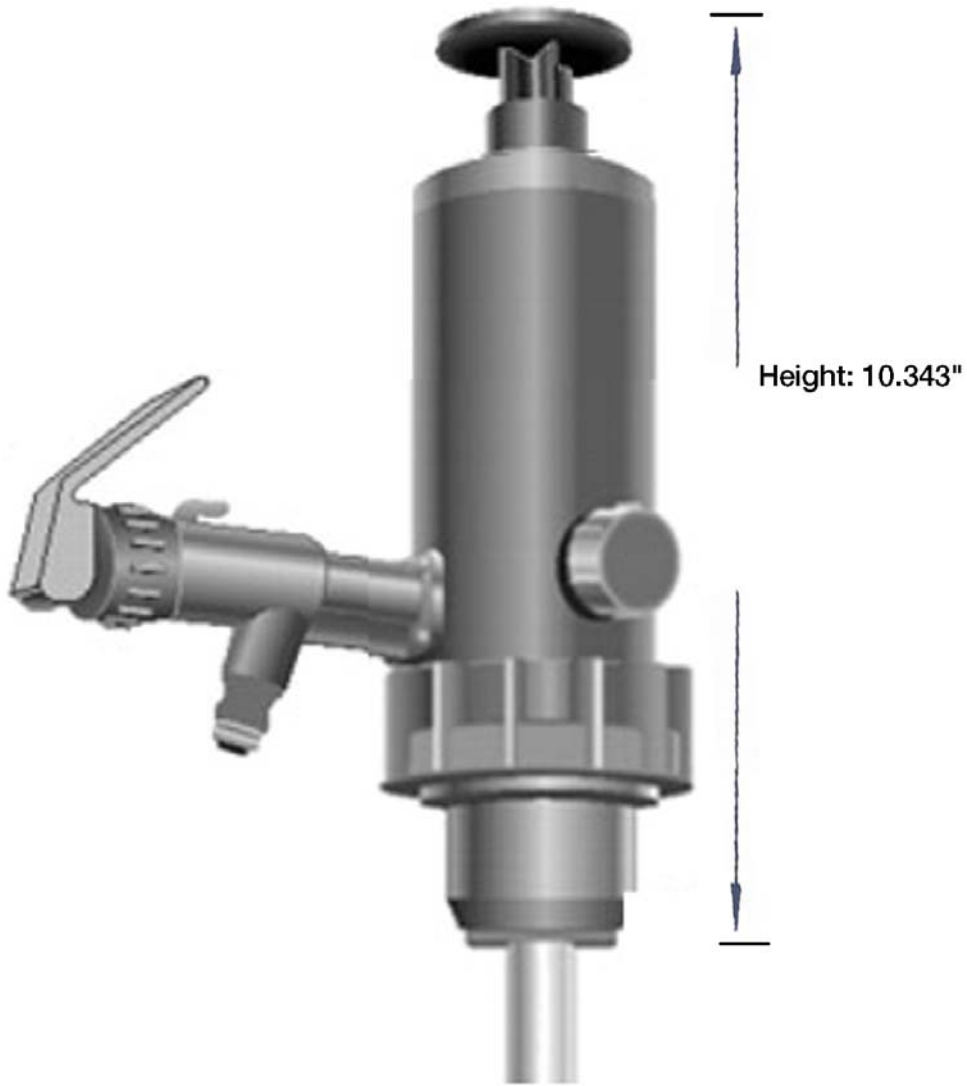
FITS: 2-INCH OPENING		MATERIALS OF CONSTRUCTION							
DRN: N. Westcott	DATE 3.6.13	PLASTIC:	Polypropylene				ITEM NUMBER	REV.	SHEET SIZE
CHK:	DATE	Static Conductive Polypropylene					SCP-8-GT300	A	8.5" X 11"
APP: R. Pocock	DATE 3;6.13	METAL:	304 Stainless Steel	SHEET 1 OF 1 SHEETS	SCALE:				
Manufacture to signed original only and to comply with any relevant US Standards		ELASTOMER:	Viton						
		OTHER:		AUTOMATIC INTERNAL PRESSURE VENT: 8 PSIG					



SCP-8-7600


WORK TO SPECIFICATIONS ONLY

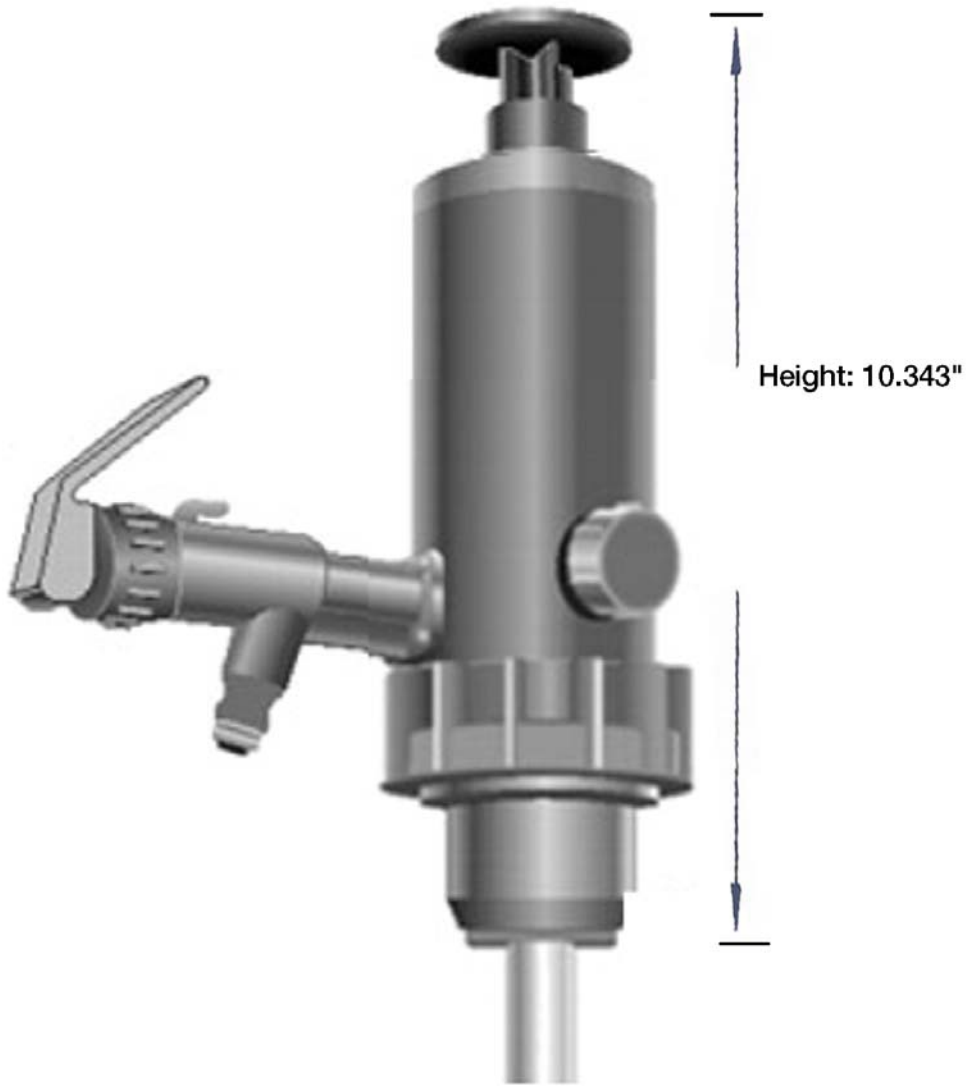
FITS: 2-INCH OPENING		MATERIALS OF CONSTRUCTION							
DRN: N. Westcott	DATE 3.6.13	PLASTIC:	Polypropylene				ITEM NUMBER	REV.	SHEET SIZE
CHK:	DATE	Static Conductive Polypropylene					SCP-8-7600	A	8.5" X 11"
APP: R. Pocock	DATE 3;6.13	METAL:	304 Stainless Steel	SHEET 1 OF 1 SHEETS	SCALE:				
Manufacture to signed original only and to comply with any relevant US Standards		ELASTOMER:	FFMK	AUTOMATIC INTERNAL PRESSURE VENT: 8 PSIG					
		OTHER:	PFTE						



GT100


WORK TO SPECIFICATIONS ONLY

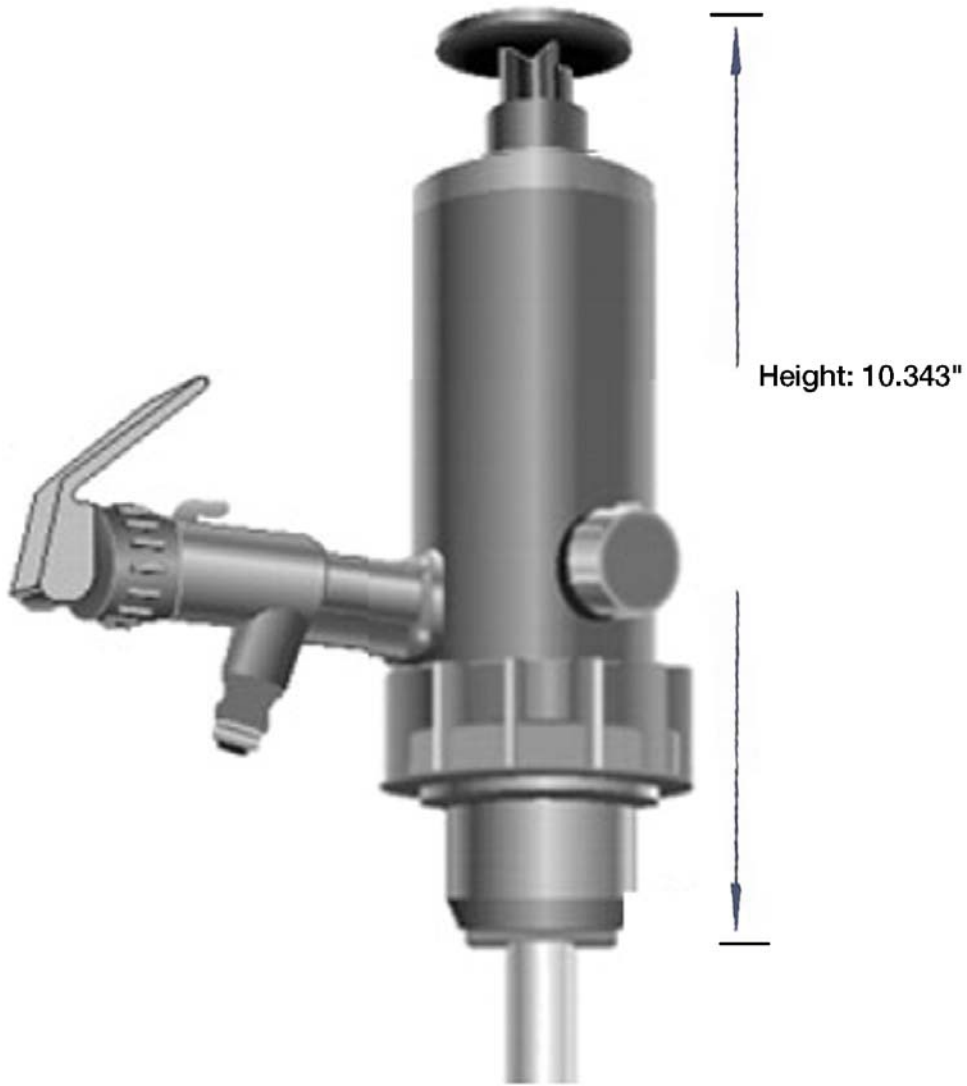
FITS: 2-INCH OPENING		MATERIALS OF CONSTRUCTION							
DRN: N.Westcott	DATE 3.6.13	PLASTIC: Polypropylene					ITEM NUMBER	REV.	SHEET SIZE
CHK:	DATE	METAL: 304 Stainless Steel					GT100	A	8.5" X 11"
APP: R. Pocock	DATE 3;6.13	ELASTOMER: Nitrile		SHEET 1 OF 1 SHEETS	SCALE:				
Manufacture to signed original only and to comply with any relevant US Standards		OTHER:		AUTOMATIC INTERNAL PRESSURE VENT: 8 PSIG					



GT200


WORK TO SPECIFICATIONS ONLY

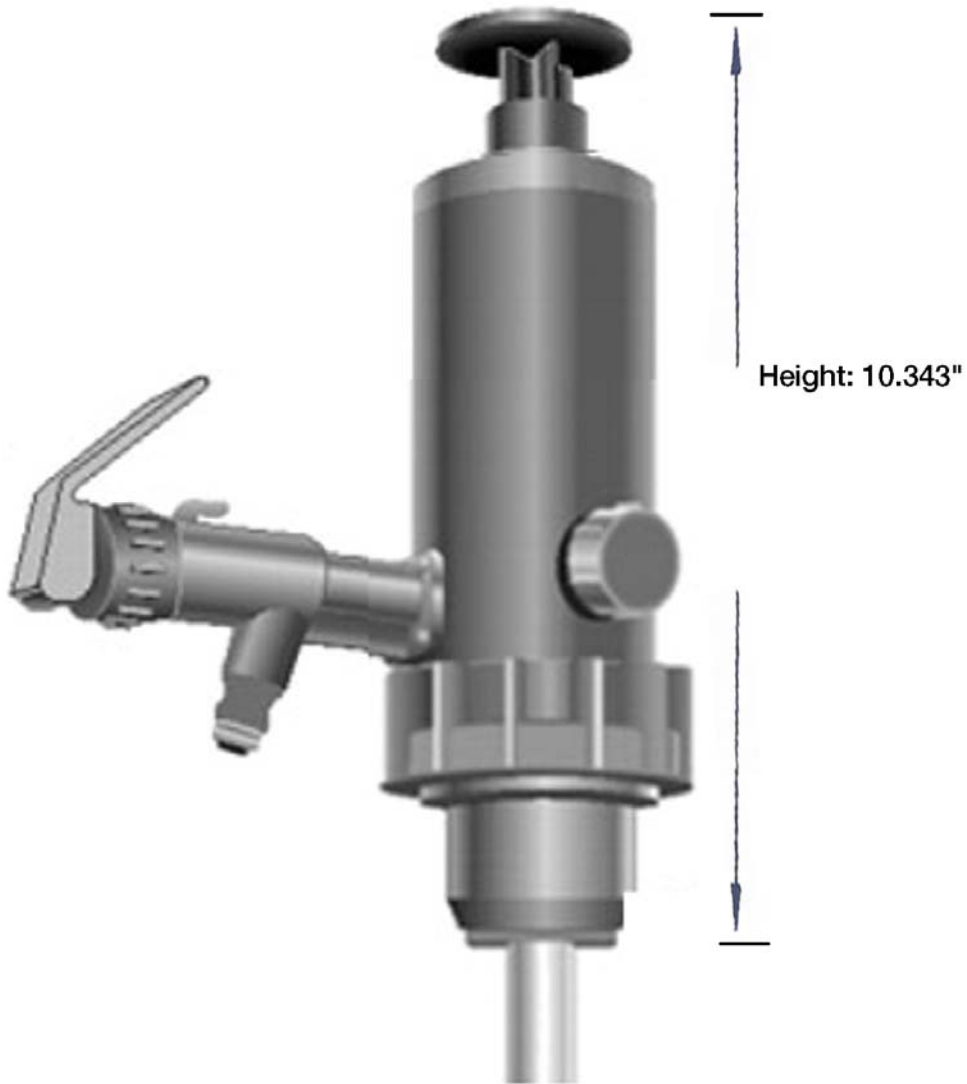
FITS: 2-INCH OPENING		MATERIALS OF CONSTRUCTION							
DRN: N.Westcott	DATE 3.6.13	PLASTIC:	Polypropylene				ITEM NUMBER	REV.	SHEET SIZE
CHK:	DATE	METAL:	304 Stainless Steel				GT200	A	8.5" X 11"
APP: R. Pocock	DATE 3;6.13	ELASTOMER:	EPDM Santoprene	SHEET 1 OF 1 SHEETS	SCALE:				
Manufacture to signed original only and to comply with any relevant US Standards		OTHER:		AUTOMATIC INTERNAL PRESSURE VENT: 8 PSIG					




GT200S

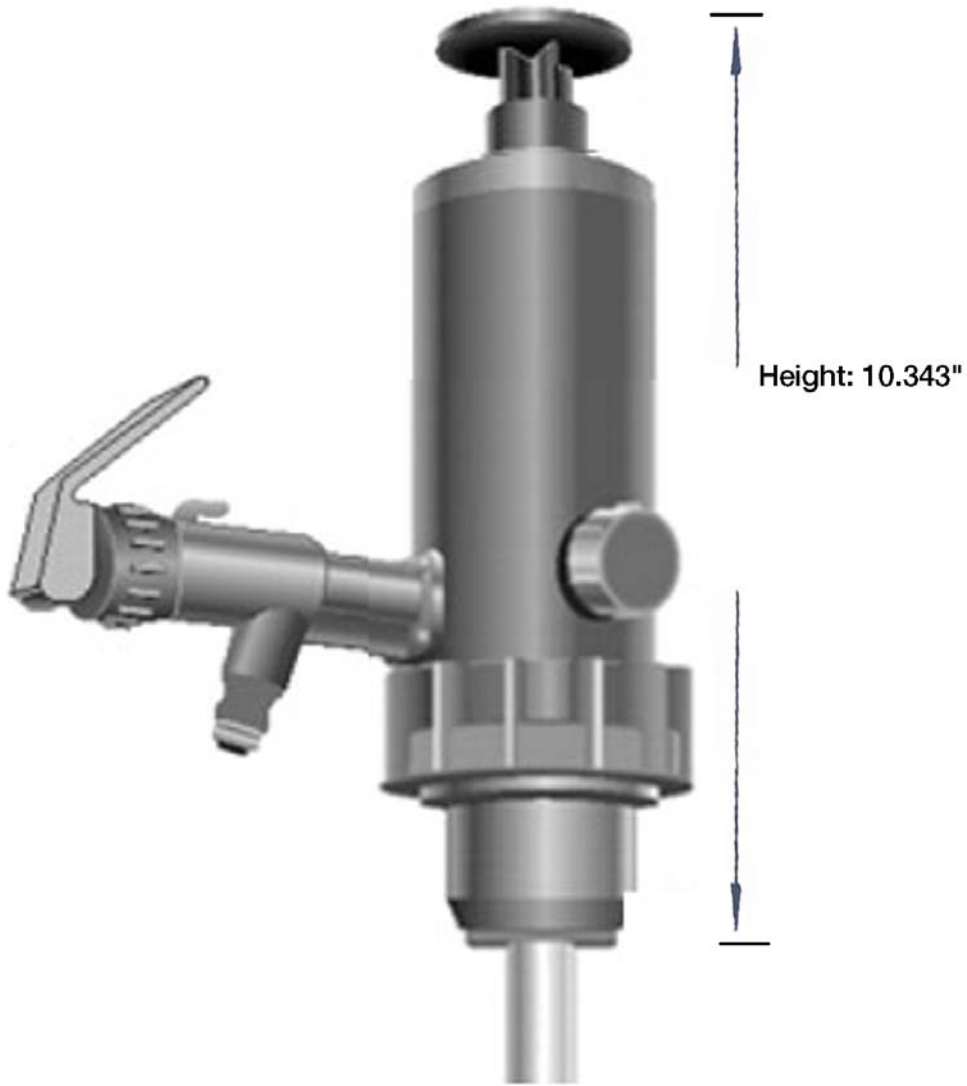
WORK TO SPECIFICATIONS ONLY

FITS: 2-INCH OPENING		MATERIALS OF CONSTRUCTION				
DRN: N.Westcott	DATE 3.6.13	PLASTIC:	Polypropylene			
CHK:	DATE	METAL:	304 Stainless Steel	GT200S	A	8.5" X 11"
APP: R. Pocock	DATE 3;6.13	ELASTOMER:	EPDM Santoprene			
Manufacture to signed original only and to comply with any relevant US Standards		OTHER:	AUTOMATIC INTERNAL PRESSURE VENT: 8 PSIG			




GT300-8

FITS: 2-INCH OPENING		WORK TO SPECIFICATIONS ONLY				
DRN: N. Westcott		DATE 3.6.13				
CHK:		DATE				
APP: R. Pocock		DATE 3;6.13				
Manufacture to signed original only and to comply with any relevant US Standards		MATERIALS OF CONSTRUCTION		ITEM NUMBER	REV.	SHEET SIZE
		PLASTIC: Polypropylene		GT300-8	A	8.5" X 11"
		METAL: 304 Stainless Steel				
		ELASTOMER: Viton		SHEET 1 OF 1 SHEETS		SCALE:
		OTHER:		AUTOMATIC INTERNAL PRESSURE VENT: 8 PSIG		



GT-7600

WORK TO SPECIFICATIONS ONLY

FITS: 2-INCH OPENING		MATERIALS OF CONSTRUCTION				
DRN: N.Westcott	DATE 3.6.13	PLASTIC:	Polypropylene			
CHK:	DATE	METAL:	304 Stainless Steel	GT-7600	A	8.5" X 11"
APP: R. Pocock	DATE 3;6.13	ELASTOMER:	FFMK			
Manufacture to signed original only and to comply with any relevant US Standards		OTHER:	PFTE	AUTOMATIC INTERNAL PRESSURE VENT: 8 PSIG		